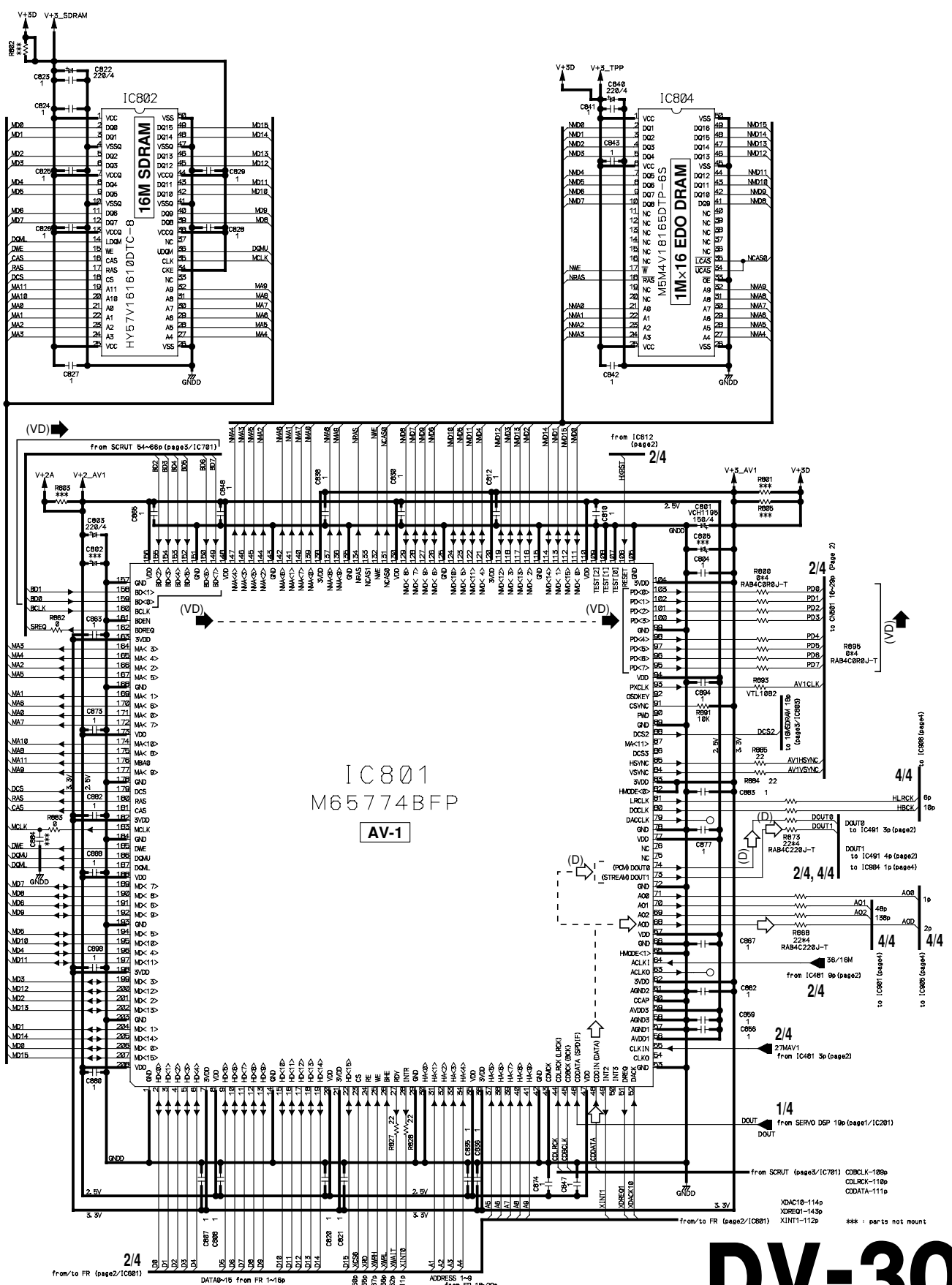
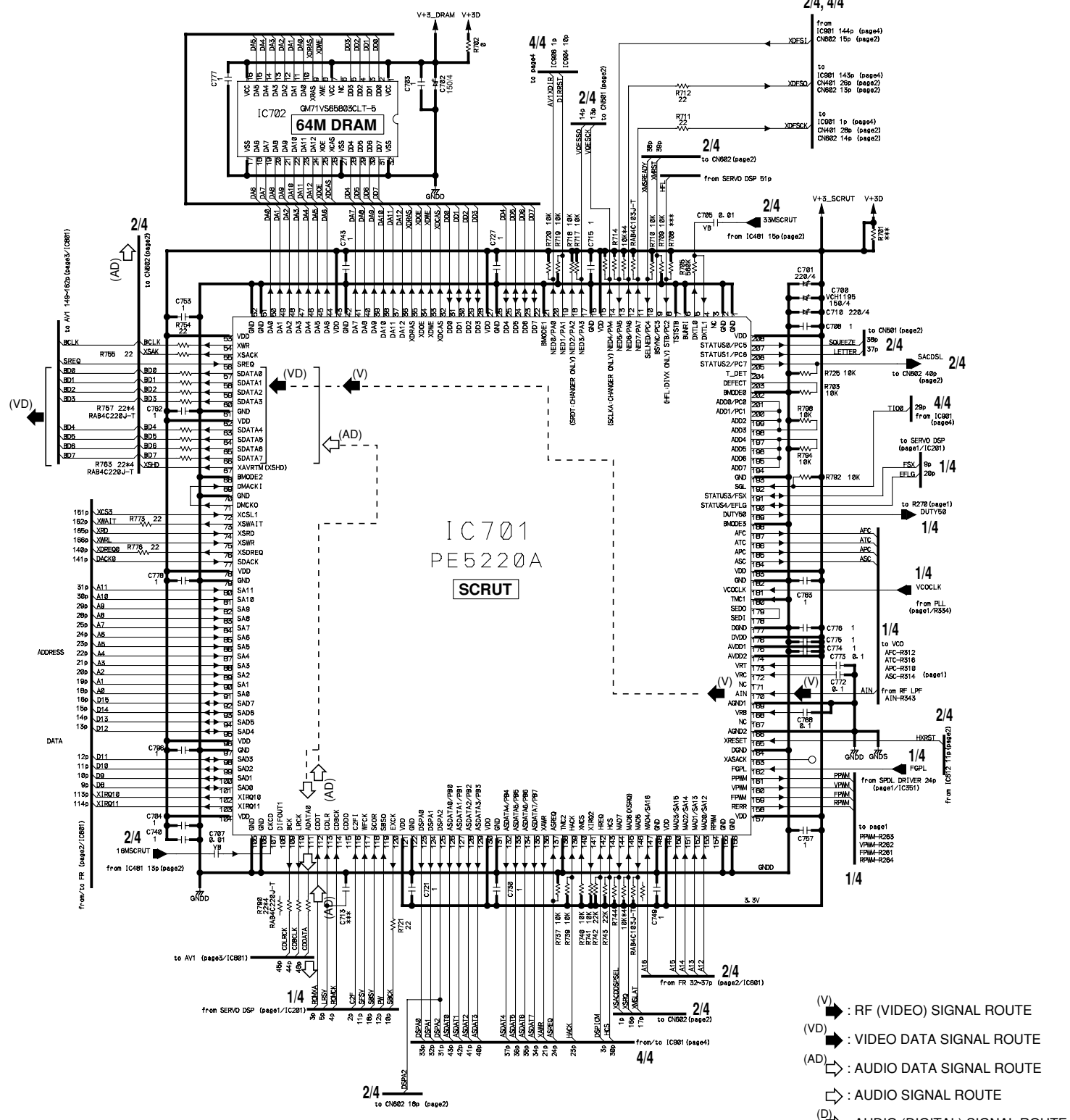


1 2 3 4 5 6 7 8

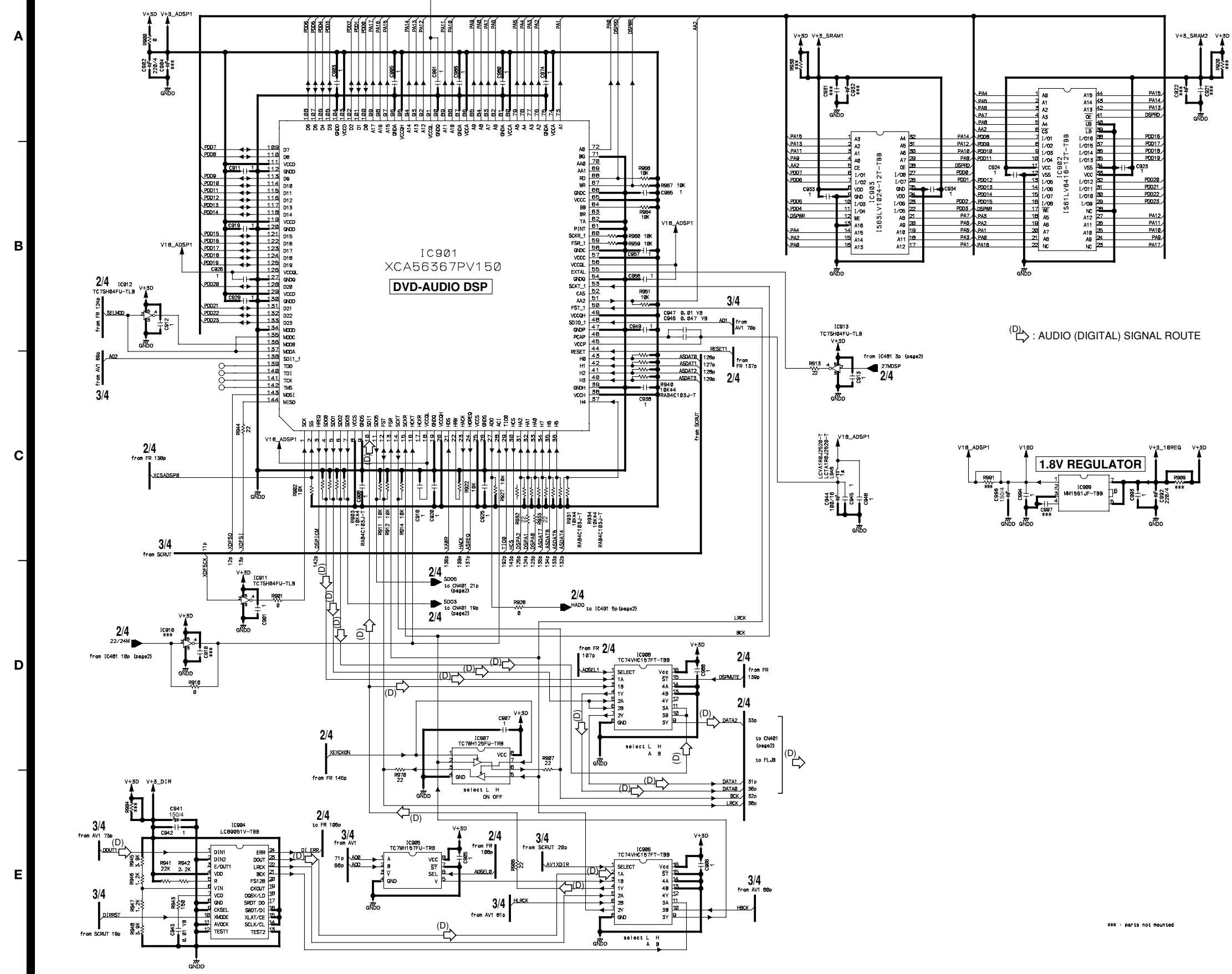
DVDM PCB 3/4

A
B
C
D
E

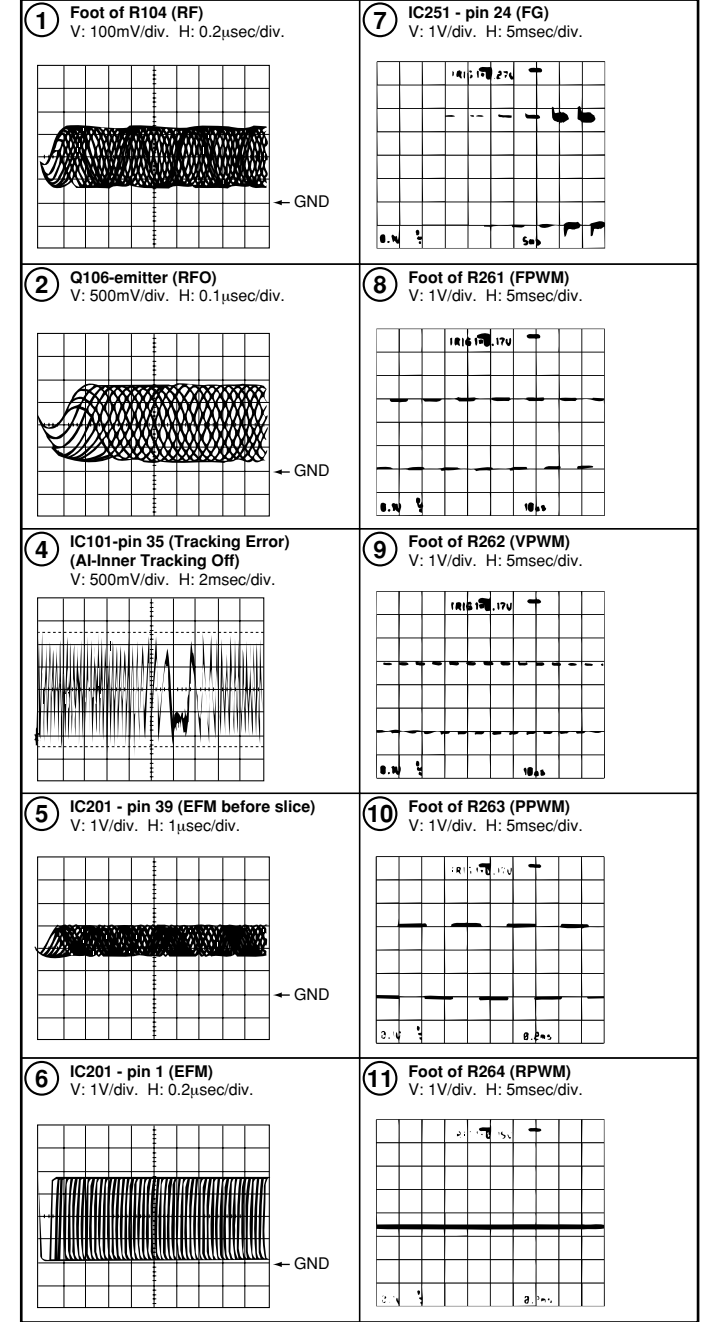


- (V) RF (VIDEO) SIGNAL ROUTE
- (VD) VIDEO DATA SIGNAL ROUTE
- (AD) AUDIO DATA SIGNAL ROUTE
- (A) AUDIO SIGNAL ROUTE
- (D) AUDIO (DIGITAL) SIGNAL ROUTE

DVDM PCB 4/4



Measurement condition: No. 1 to 4 and 6 to 11: MJK1, Title 1-chp 1
No. 5 : CD, ABEX-784 Track 1

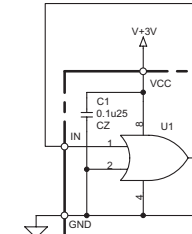
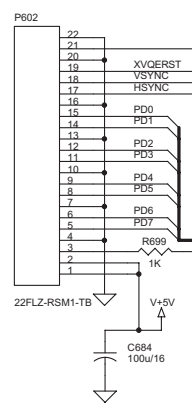
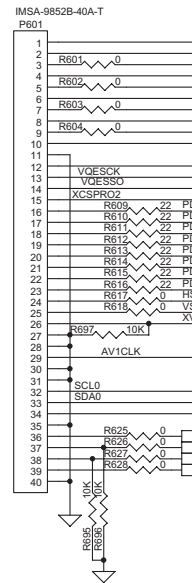
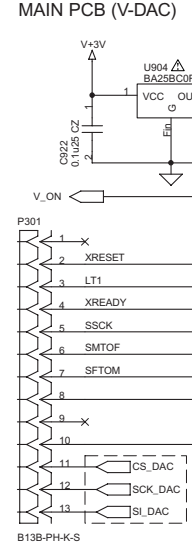
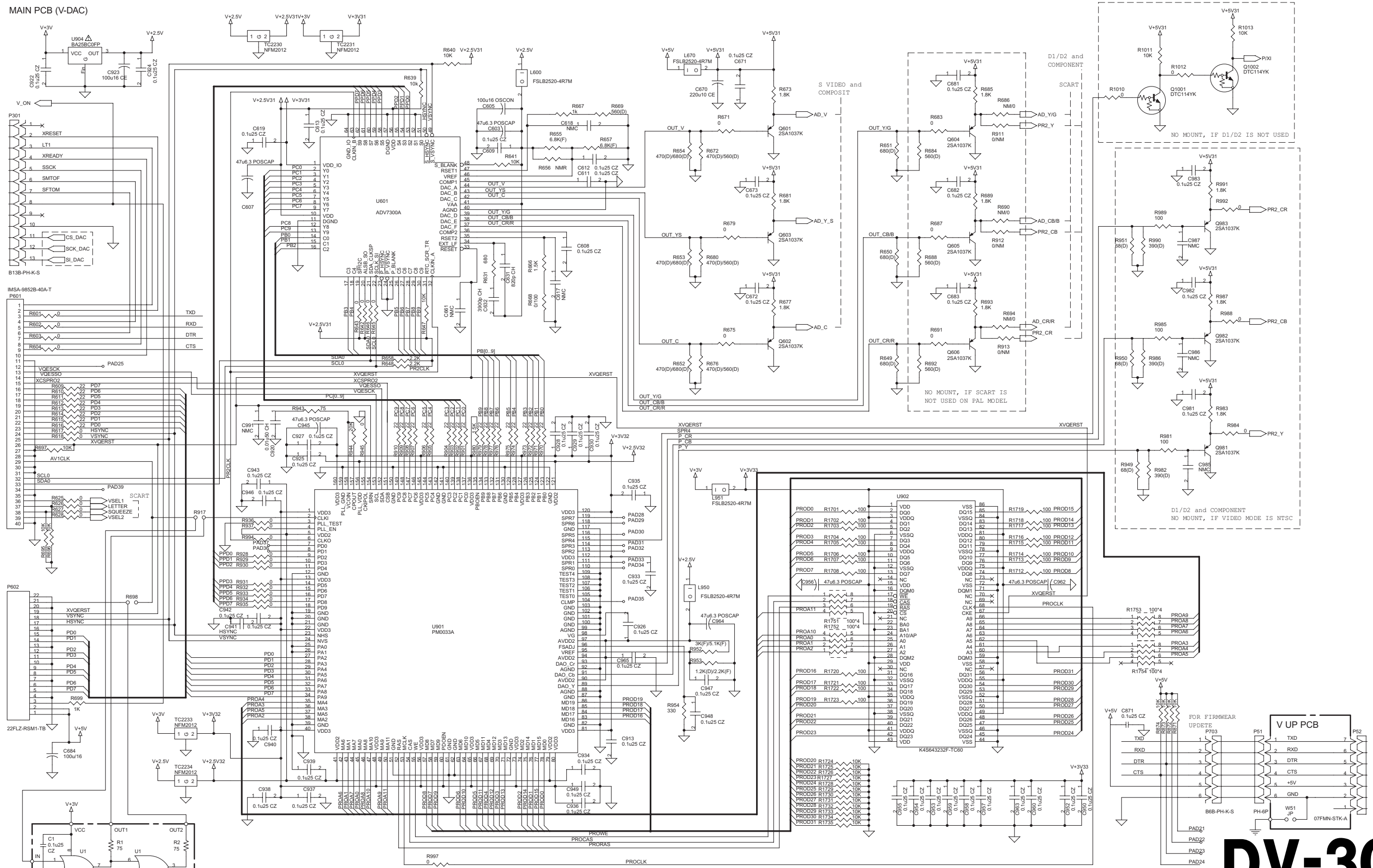


Note : The encircled numbers denote measuring point in the schematic diagram.
注意 : ○で囲まれた数字は回路図の各測定ポイントの番号を示します。

TEAC SCHEMATIC DIAGRAM DV-30 MAIN PCB (1/5), BUF1 PCB, V UP PCB

1 2 3 4 5 6 7 8

A
B
C
D
E



1. AS FOR THE VALUE OF THE PART DIVIDED WITH SLASH, THE RIGHT IS FOR PAL, THE LEFT IS FOR NTSC.
 2. UNIT : REGISTRAR IS OHME, CAPACITOR IS FARAD.
 3. NMR MEANS NO MOUNT REGISTER.
 4. NMC MEANS NO MOUNT CAPACITOR.

DV-30

DVD/DVD-A/SACD/CD PLAYER

1st Issue; July 2003

TEAC SCHEMATIC DIAGRAM DV-30 MAIN PCB (2/5)

1 2 3 4 5 6 7 8

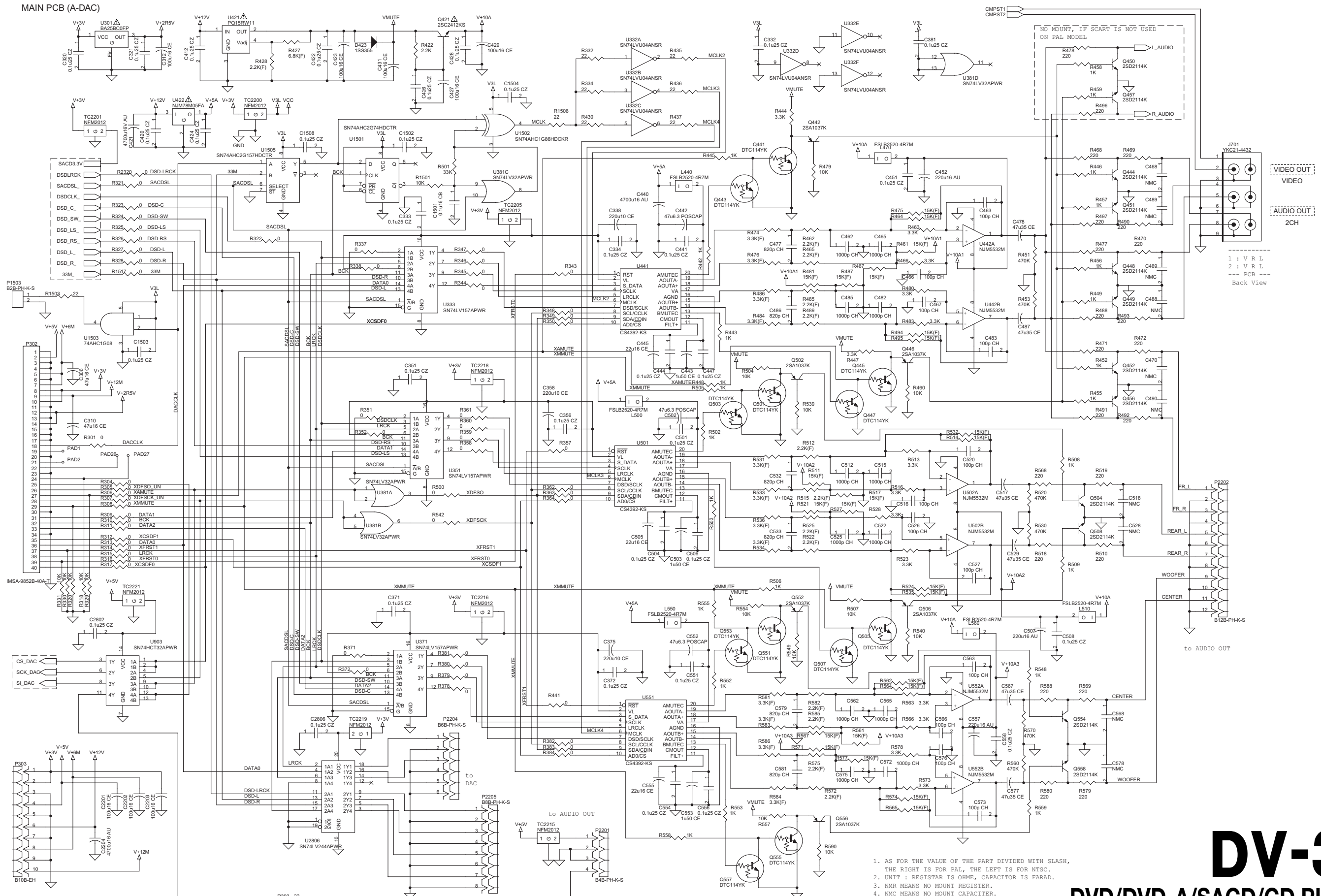
A

B

C

D

E



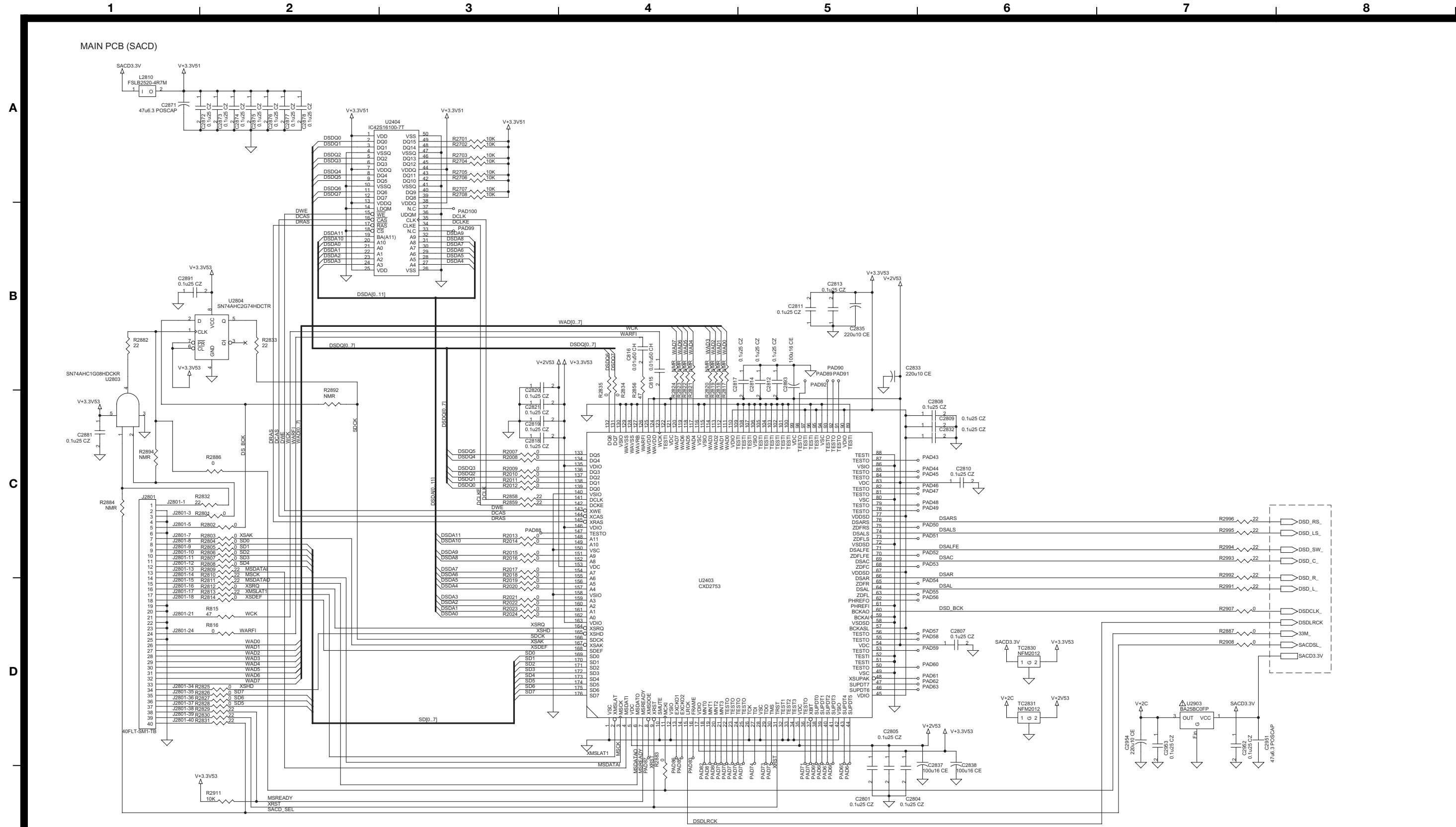
1. AS FOR THE VALUE OF THE PART DIVIDED WITH SLASH, THE RIGHT IS FOR PAL, THE LEFT IS FOR NTSC.
2. UNIT : REGISTER IS OHM, CAPACITOR IS FARAD.
3. NMR MEANS NO MOUNT REGISTER.
4. NMC MEANS NO MOUNT CAPACITER.

DV-30

DVD/DVD-A/SACD/CD PLAYER

1st Issue; July 2003

TEAC SCHEMATIC DIAGRAM DV-30 MAIN PCB (3/5)



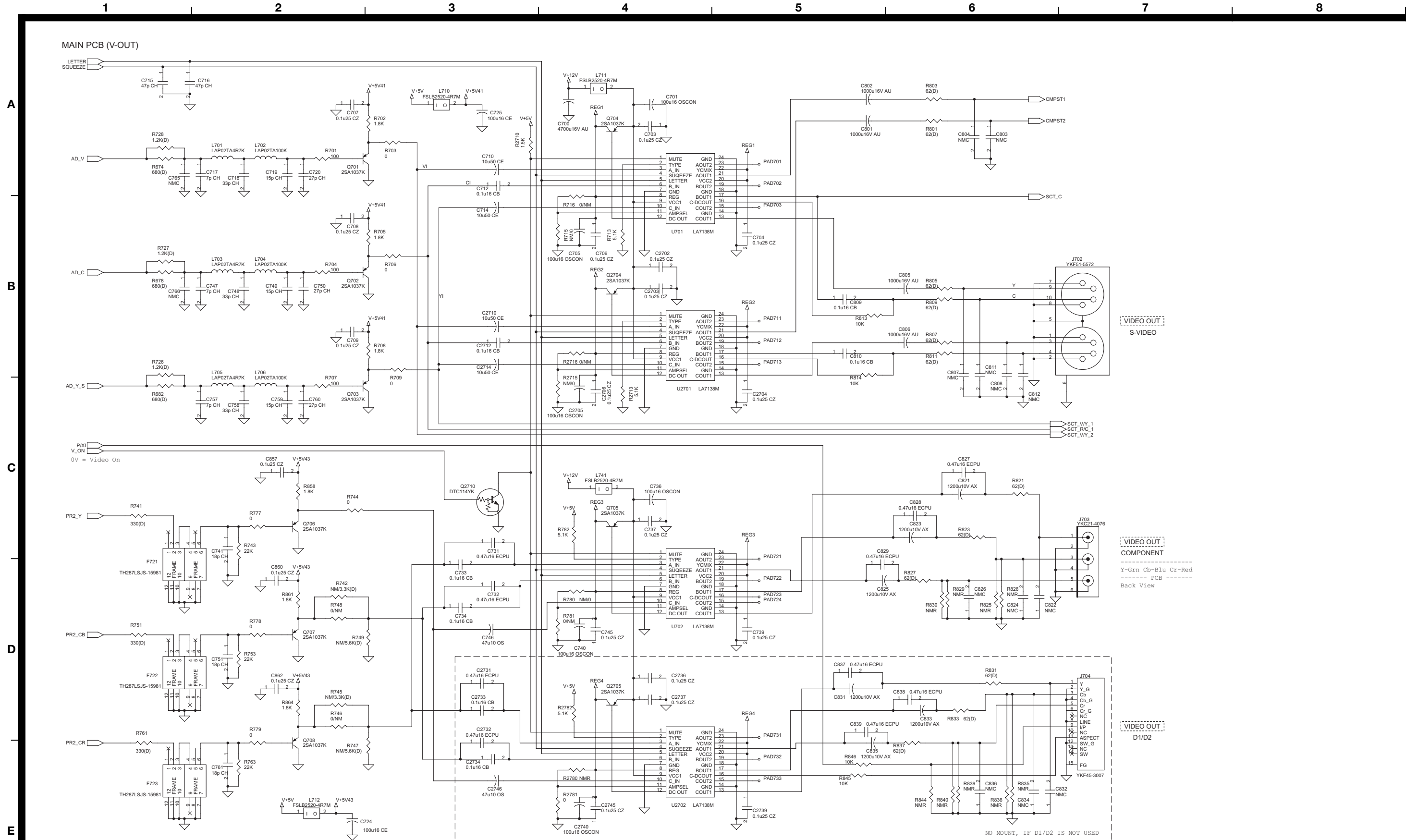
1. AS FOR THE VALUE OF THE PART DIVIDED WITH SLASH, THE RIGHT IS FOR PAL, THE LEFT IS FOR NTSC.
2. UNIT : REGISTAR IS OHME, CAPACITOR IS FARAD.
3. NMR MEANS NO MOUNT REGISTER.
4. NMC MEANS NO MOUNT CAPACITER.

DV-30

DVD/DVD-A/SACD/CD PLAYER

1st Issue; July 2003

TEAC SCHEMATIC DIAGRAM DV-30 MAIN PCB (4/5)



1. AS FOR THE VALUE OF THE PART DIVIDED WITH SLASH, THE RIGHT IS FOR PAL, THE LEFT IS FOR NTSC.
 2. UNIT : REGSTAR IS OHME, CAPACITOR IS FARAD.
 3. NMR MEANS NO MOUNT REGISTER.
 4. NMC MEANS NO MOUNT CAPACITER.

TEAC SCHEMATIC DIAGRAM DV-30 MAIN PCB (5/5), OUTPUT PCB

1 2 3 4 5 6 7 8

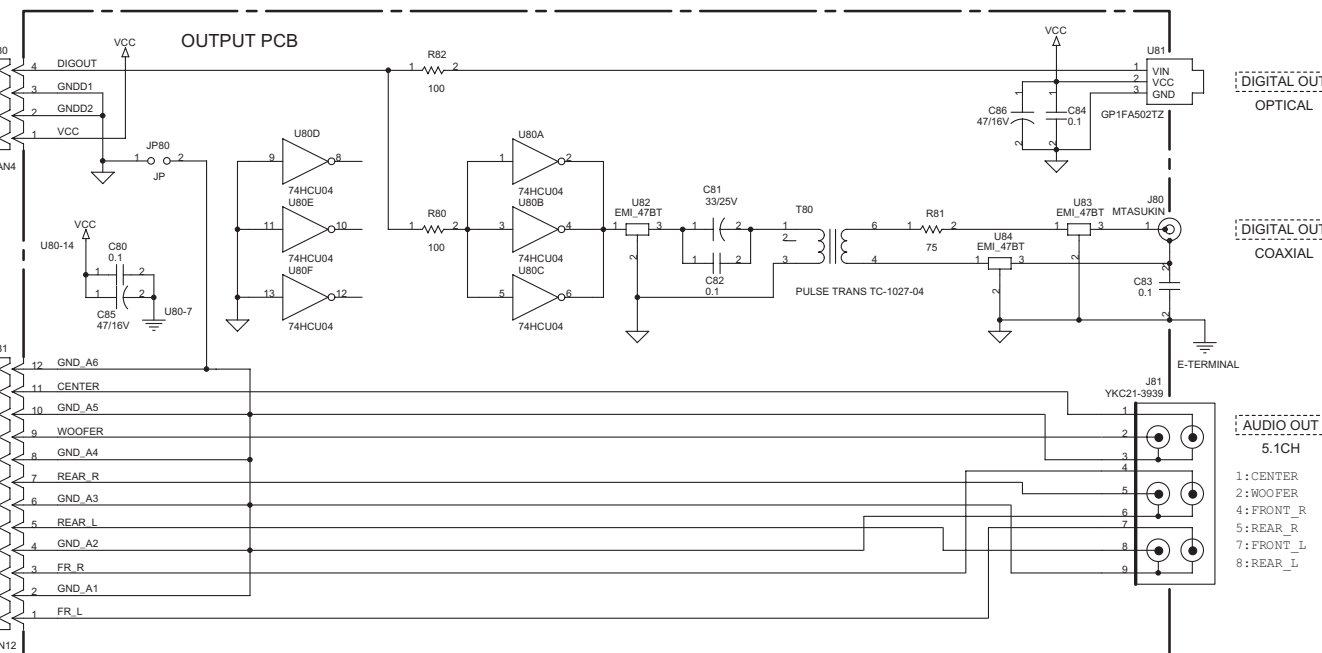
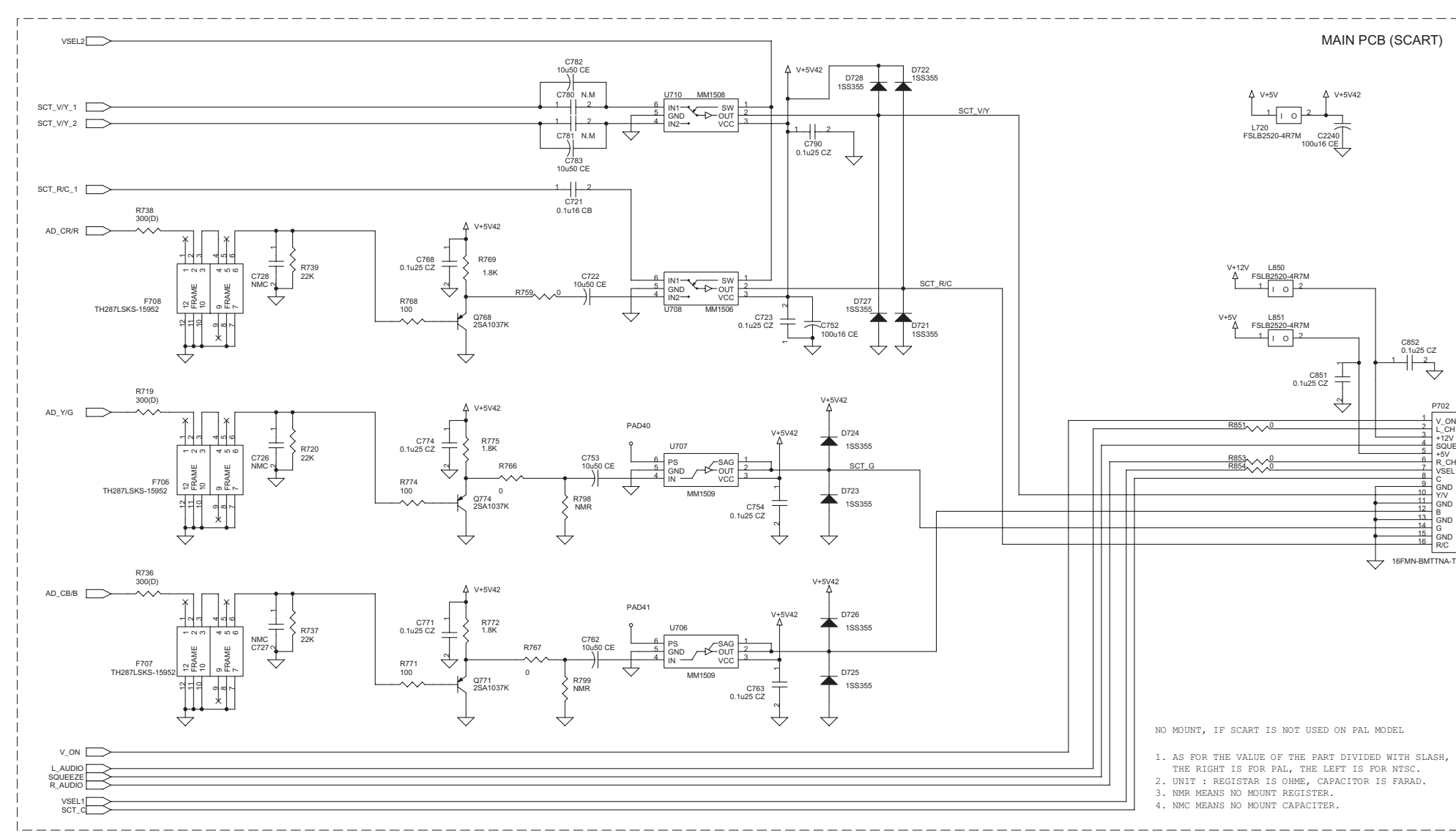
A

B

C

D

E



DV-30

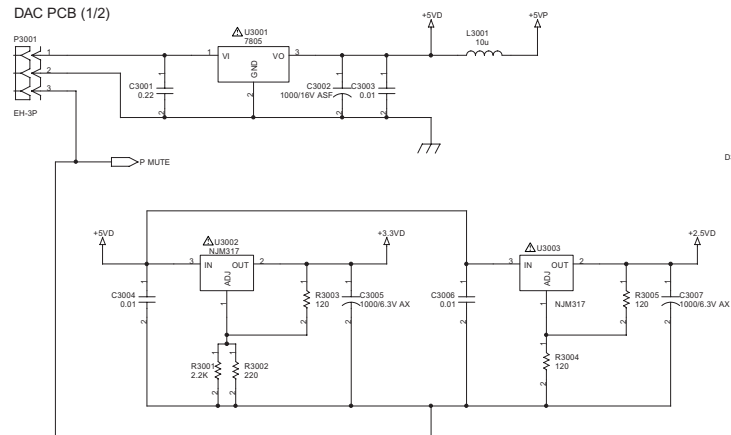
DVD/DVD-A/SACD/CD PLAYER

1st Issue; July 2003

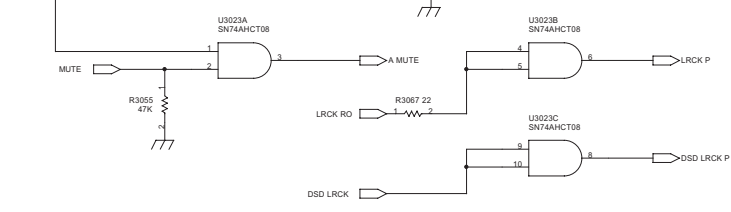
TEAC SCHEMATIC DIAGRAM DV-30 DAC PCB (1/2)

1 2 3 4 5 6 7 8

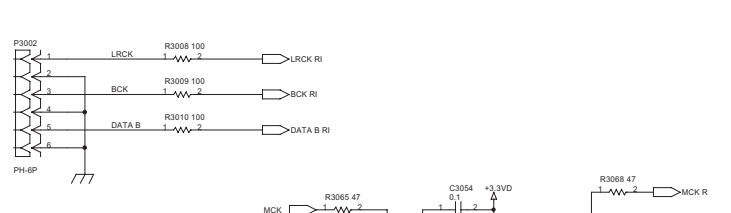
A



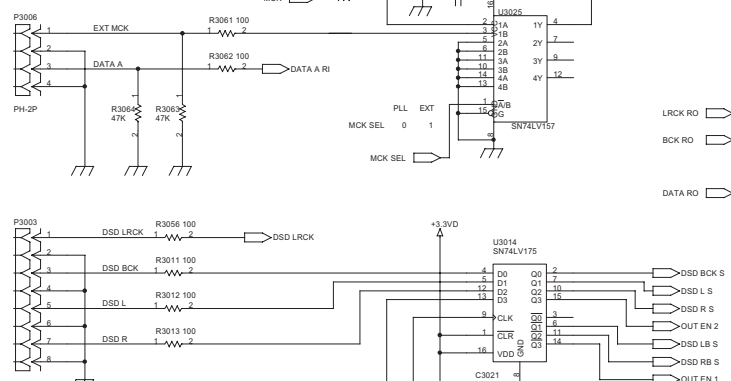
B



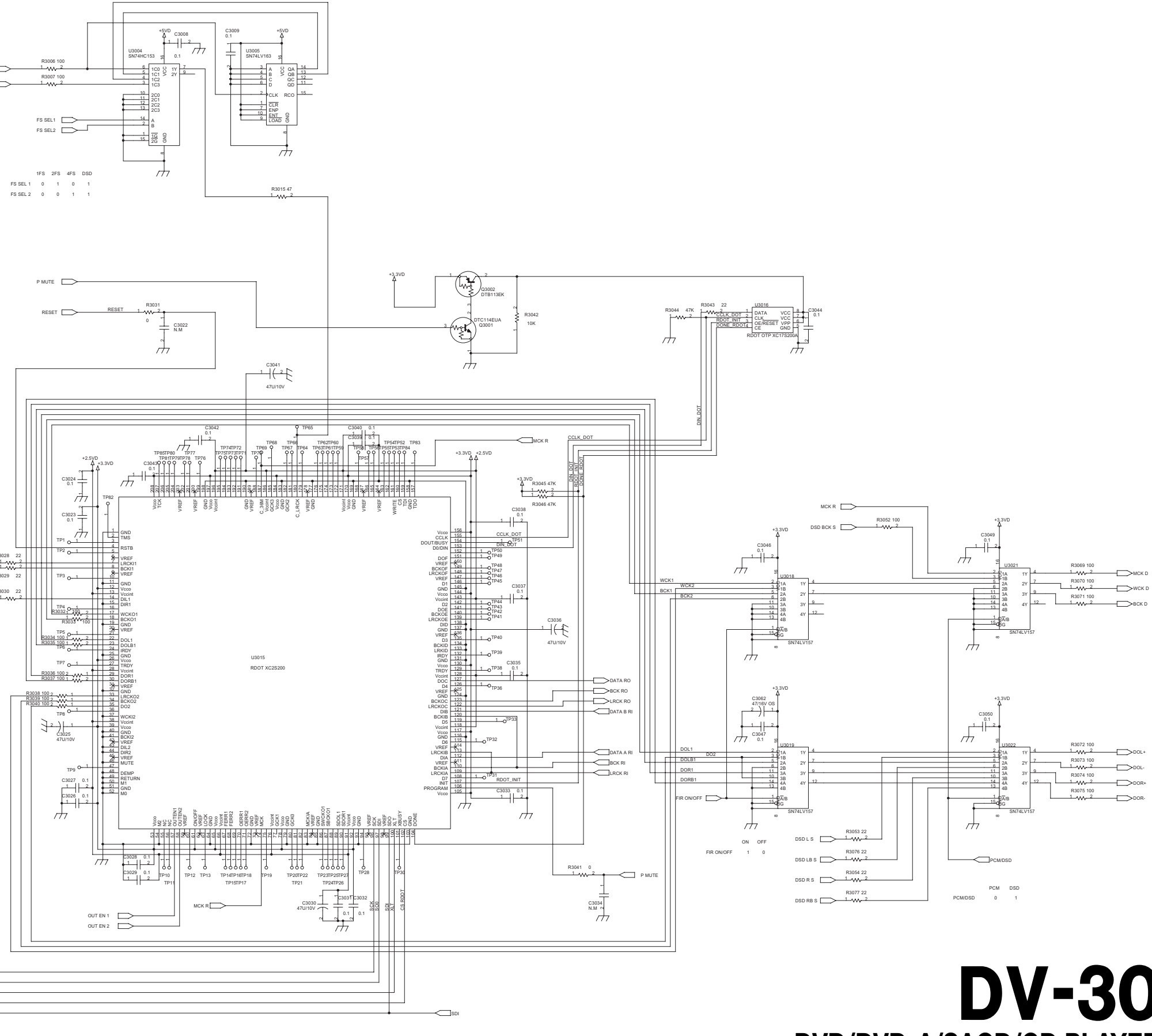
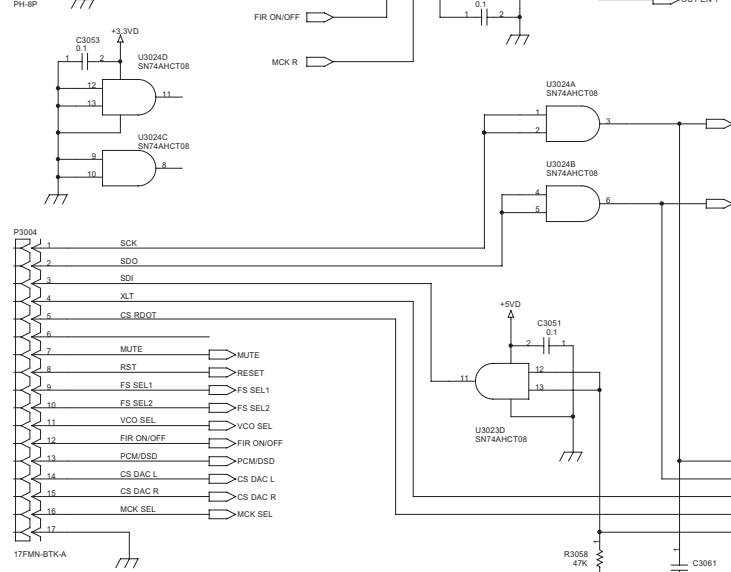
C



D



E



DV-30

DVD/DVD-A/SACD/CD PLAYER

1st Issue; July 2003

TEAC SCHEMATIC DIAGRAM DV-30 DAC PCB (2/2)

1 2 3 4 5 6 7 8

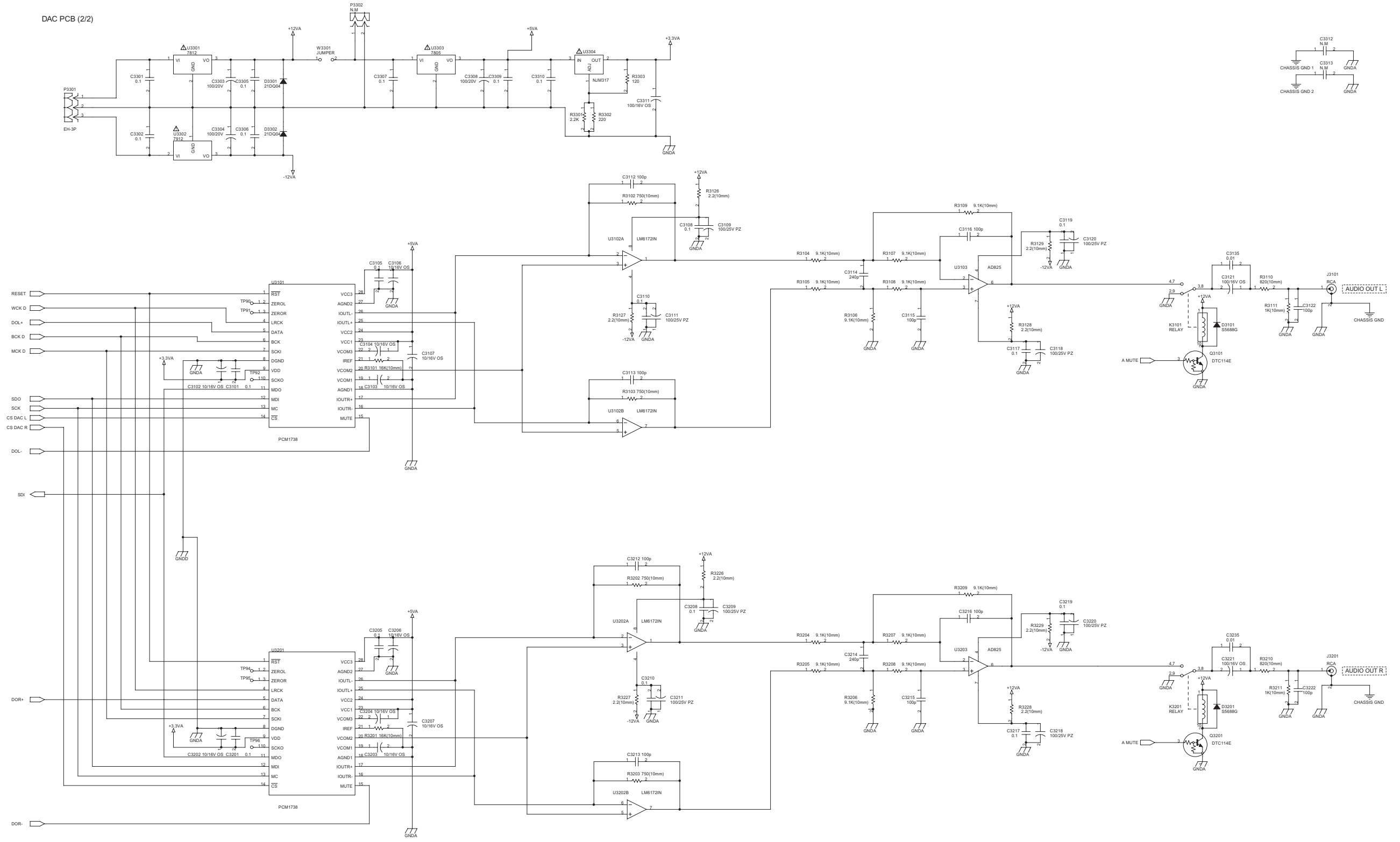
A

B

C

D

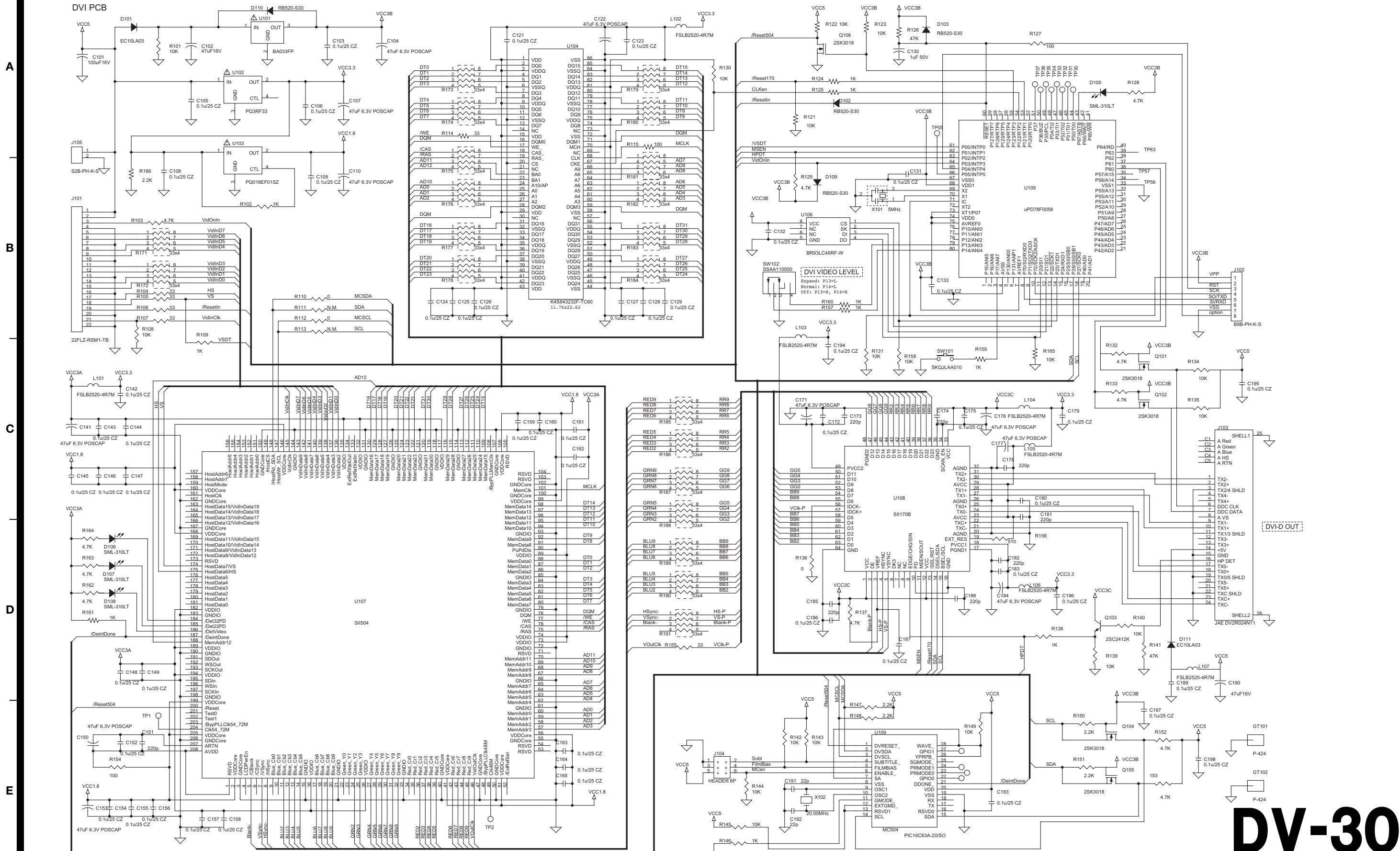
E



DV-30
DVD/DVD-A/SACD/CD PLAYER
 1st Issue; July 2003

TEAC SCHEMATIC DIAGRAM DV-30 DVI PCB

1 2 3 4 5 6 7 8

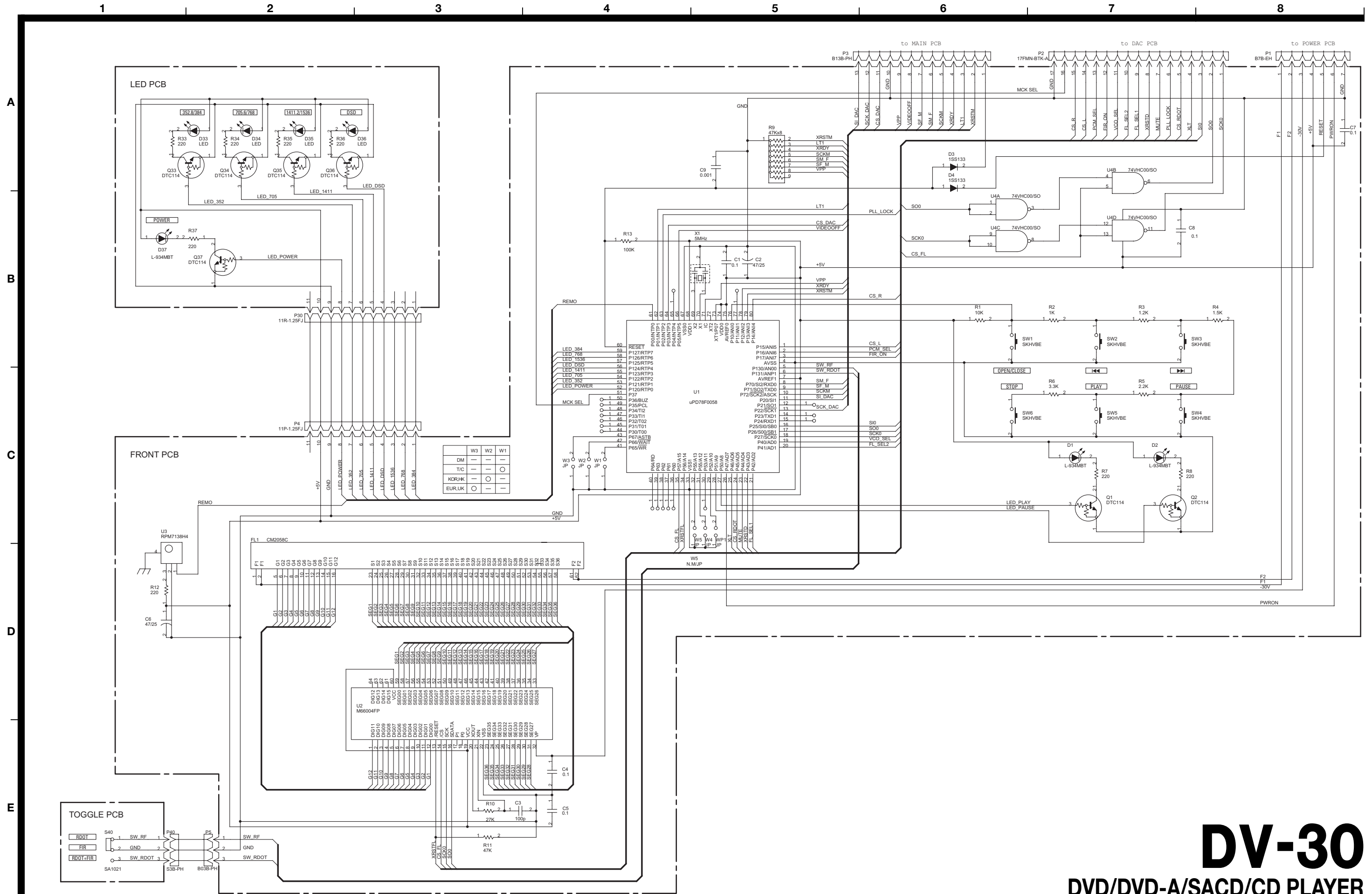


DV-30

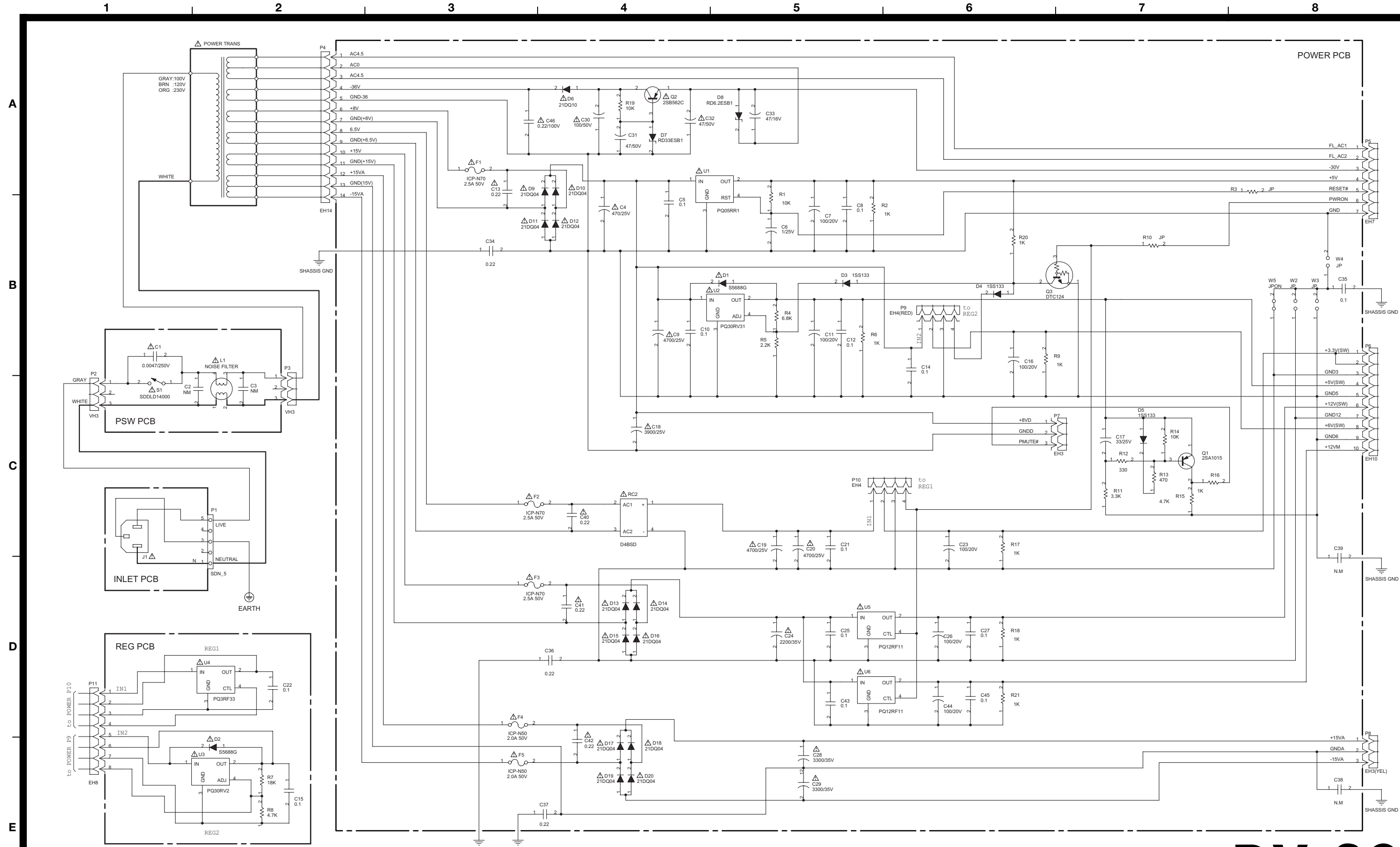
DVD/DVD-A/SACD/CD PLAYER

1st Issue; July 2003

TEAC SCHEMATIC DIAGRAM DV-30 FRONT PCB, LED PCB, TOGGLE PCB



TEAC SCHEMATIC DIAGRAM DV-30 POWER PCB, REG PCB, PSW PCB, INLET PCB



INSTRUCTIONS FOR SERVICE PERSONNEL
BEFORE RETURNING APPLIANCE TO THE CUSTOMER, MAKE LEAKAGE-CURRENT OR RESISTANCE MEASUREMENTS TO DETERMINE THAT EXPOSED PARTS ARE ACCEPTABLY INSULATED FROM THE SUPPLY CIRCUIT.

NOTES:
 1. Resistor values are in ohms (k=kilo-ohms, M=megohms).
 2. Capacitor values are in microfarads (p=picofarads).
 3. Δ Parts marked with this sign are safety critical components. They must always be replaced with identical components-refer to the appropriate parts list and ensure exact replacement.

注意
 1. 抵抗の単位は Ω (k=k Ω , M=M Ω)です。
 2. コンデンサの単位は μF (p=pF)です。
 3. Δ マークのある部品は安全規格重要部品です。交換するときは必ずテック指定の部品を使用してください。

DV-30

DVD/DVD-A/SACD/CD PLAYER

1st Issue; July 2003